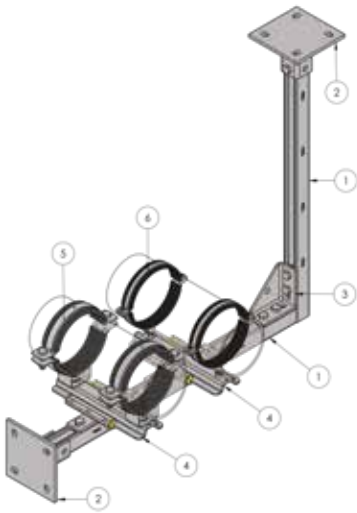


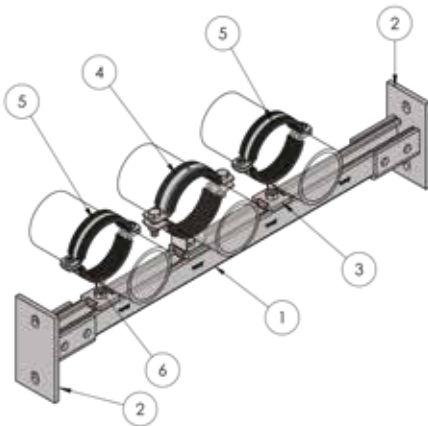
Application Cases for G Profiles

Type 1



Item No.	Description	Code
1	41x41x2 G Profile	IPG414120...
2	4x6 - Hole Post Bases 41x41 Strut	IFBLPD46
3	Universal Shelf Bracket	IFBL90D6W103
4	Heavy Duty Slider Joined By M12 Bolts To Double Clamps	IWKML509024512
5	Heavy Duty Pipe Clamp With Rubber Profile	IKAK...
6	Std. Pipe Clamp With Rubber Profile & Combi Nut	IKKS...

Type 2

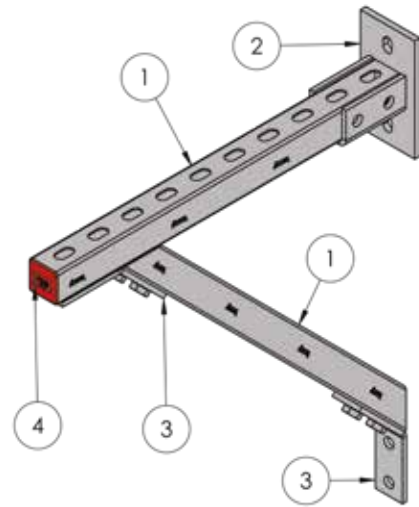


Item No.	Description	Code
1	41x41x2 G Profile	IPG414120...
2	2x6 - Hole Post Bases 41x41 Strut	IFBLPOD26
3	Square Washer With Profile Guide	IFBLFGD1...
4	Heavy Duty Pipe Clamp With Rubber Profile	IKAK...
5	Std. Pipe Clamp With Rubber Profile & Combi Nut	IKKS..
6	Threaded Rod	IRRT...

Application Cases for G Profiles

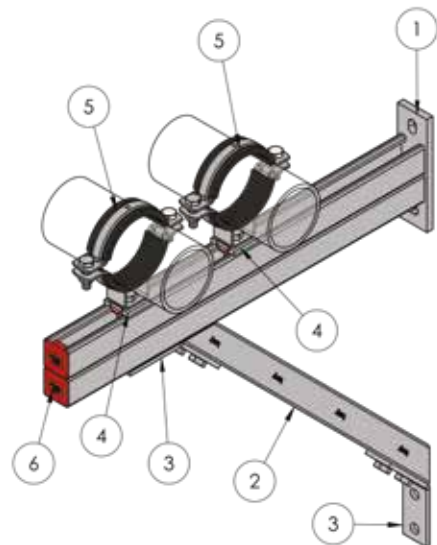
Type 3

Item No.	Description	Code
1	41x41x2 G Profile	IPG414120...
2	2x6 - Hole Post Bases 41x41 Strut	IFBLPOD26
3	2 - Hole Open Angle Connector	IFBLAOD445
4	41x41 Cover	IPGT4141



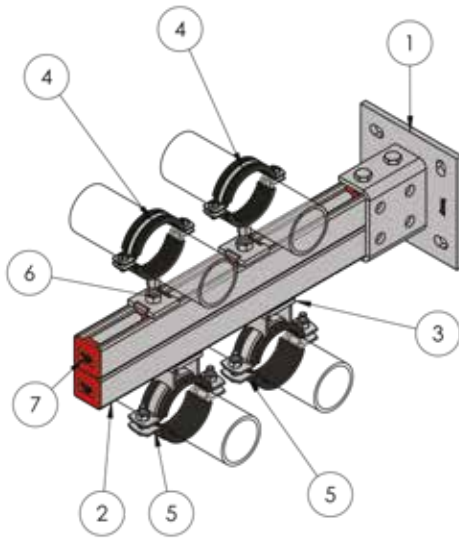
Type 4

Item No.	Description	Code
1	Double Profile Bracket	IWKDG600
2	41x41x2,5 G Profile	IPG414125...
3	2 - Hole Open Angle Connector	IFBLAOD445
4	Square Washer With Profile Guide	IFBLFGD1...
5	Heavy Duty Pipe Clamp With Rubber Profile	IKAK...
6	41x41 Cover	IPGT4141



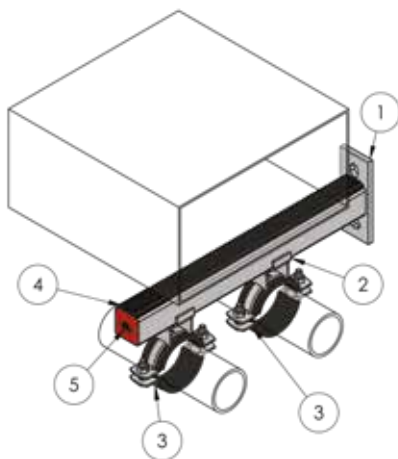
Application Cases for G Profiles

Type 5



Item No.	Description	Code
1	4x8 - Hole Post Bases 41x41D Strut	IFBLPDD48
2	41x41x2 G Double Profile	IPGD414120...
3	Square Washer With Profile Guide	IFBLFGD1...
4	Std. Pipe Clamp With Rubber Profile & Combi Nut	IKKS...
5	Heavy Duty Pipe Clamp With Rubber Profile	IKAK..
6	Threaded Rod	IRRT10...
7	41x41 Cover	IPGT4141

G Profiles, Brackets & Accessories



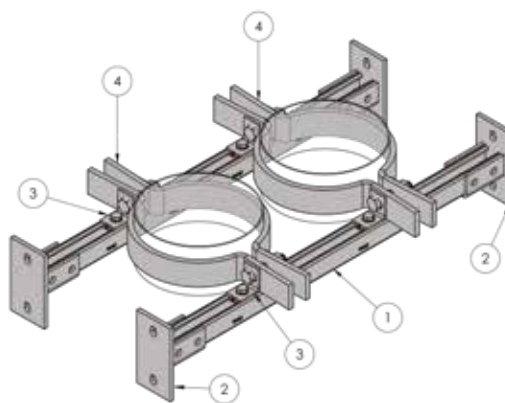
Type 6

Item No.	Description	Code
1	Single Profile Bracket 41x41 Strut	IWKG400
2	1- Hole U Washer	IFBLCD110
3	Heavy Duty Pipe Clamp With Rubber Profile	IKAK..
4	G Profile Rubber	ZLIG
5	41x41 Cover	IPGT4141

Application Cases for G Profiles

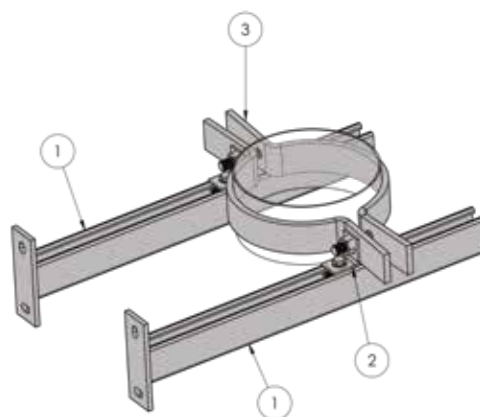
Type 11

Item No.	Description	Code
1	41x41x2,5 G Profile	IPG414125...
2	2x6 - Hole Post Bases 41x41 Strut	IFBLPOD26
3	90° Connecting Plate	IFBLF90...
4	Riser Clamp	IEKRC...

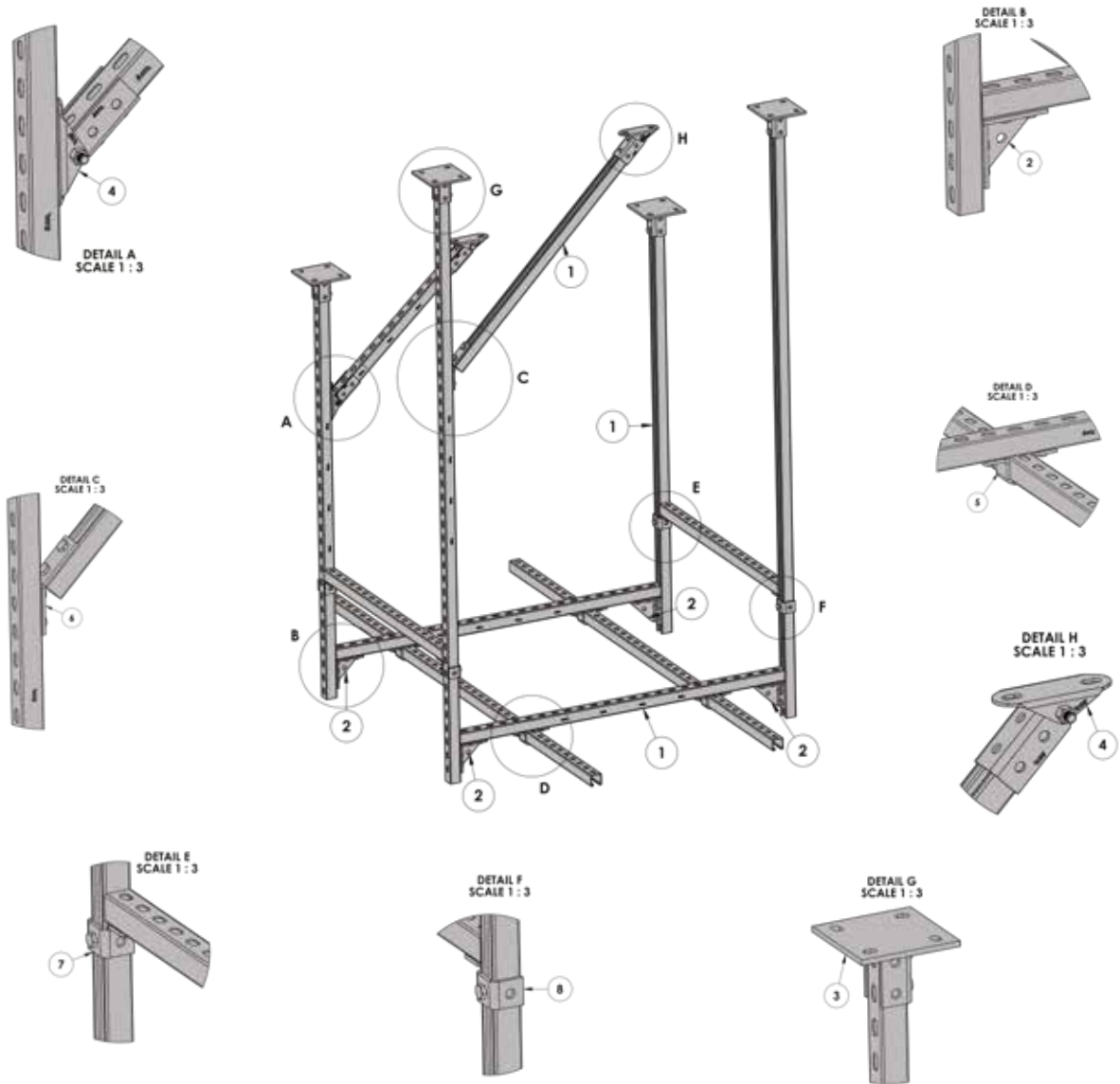


Type 12

Item No.	Description	Code
1	Single Profile Bracket 41x60 Strut	IWKG60600
2	90° Connecting Plate	IFBLF90...
3	Riser Clamp	IEKRC...



Application Cases for G Profiles



G Profiles, Brackets & Accessories

Item No.	Description	Code
1	41x41x2,5 G Profile	IPG414125...
2	Universal Shelf Bracket	IFBL90D6W103
3	4x6-Hole Post Bases 41x41 Strut	IFBLPD46
4	2- Hole Hinged Joint	IBSMF2
5	3- Hole U Support	IFBLU41
6	2- Hole Open Angle Connector	IFBLA0D445
7	3- Hole Corner Connector	IFBLWD3L41
8	3- Hole Corner Connector	IFBLWD3R41